

Joins

Unions

Joins

- High Pressure Swivel Joins
- Pup Joins
- Cementing & Circulating Hoses
- Manifolds
- Integral Union Connections, Adapters and Fittings

Unions

Chenglin Oilfield Unions are the quality line connections available, ranging in size from 1.5 inches to 4inches with cold working pressure to 20000psi to provide safer and more effective installations to meet the customer needs and industry requirement.Chenglin Unions are manufactured from steel forgings using material appropriate specific pressure ratings and standards.

Features and Benefits

- Positive pressure-tight sealing design
- Fast assembly and break-out,no special tools required
- Optional End Connections:TxT or Butt-welded
- Sour service suitable conforms to NACEMR01-75
- High Interchangeability
- Traceability



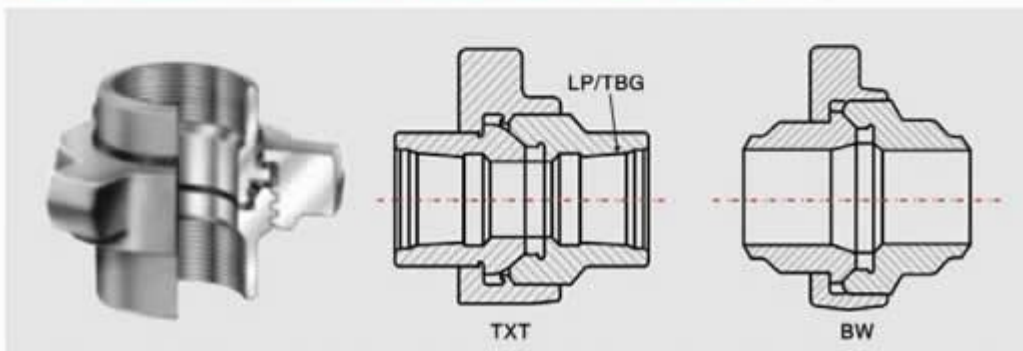
Fig No	Standard Service	Pipe Size (in)			
	CWP SUB	1½	2	3	4
206	2000				✓
602	6000		✓	✓	✓
1002	10000	✓	✓	✓	
1502	15000	✓	✓	✓	
2002	20000		✓	✓	

Threaded (TxT)

Figure 206 / 2,000 PSI
 Figure 602 / 6,000 PSI
 Figure 1002 / 10,000 PSI
 Figure 1502 / 15,000 PSI
 Figure 2002 / 20000/ PSI

Butt Weld (BW)

Figure 602 / 6,000 PSI
 Figure 1002 / 10,000 PSI
 Figure 1502 / 15,000 PSI



High Pressure Swivel Joints

Chenglin Swivel joints are designed and manufactured for both standard application and sour service with pressure rating from 6000psi to 20000psi ensuing better flow characteristics.;ow pressure drop and minimize flowing turbulence is kept with smooth and round bore design.,The swivel joints are manufactured in accordance with NACE and API standards.

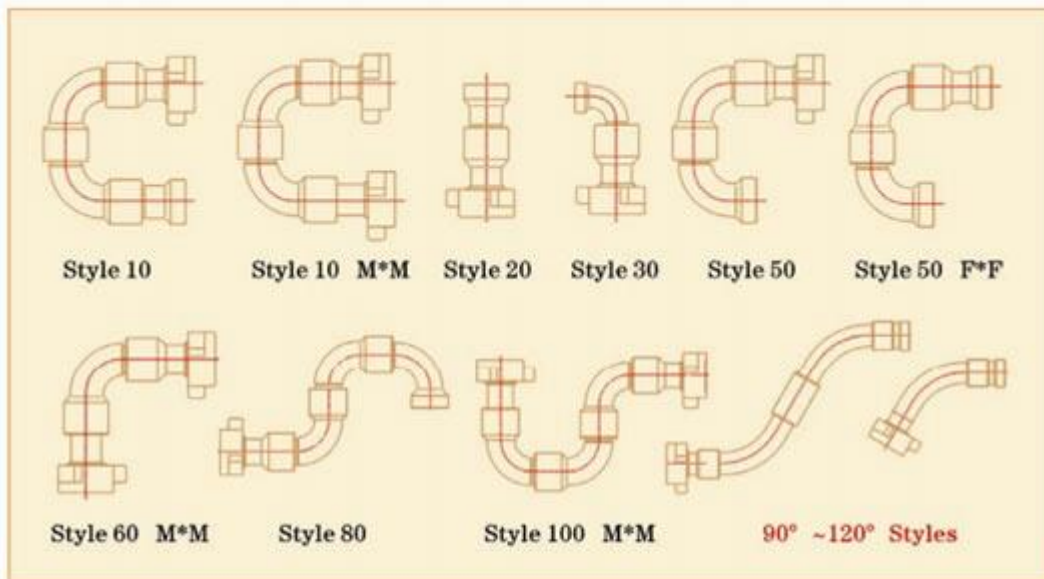
Features

- Special heat treatment for hardness control
- Providing flexibility, absorb shock and vibration and maximize flow characteristics

- Interchangeable union ends
- Dual packing arrangement: Additional O-ring works as the second seal has been specially designed between the ball races and primary seal (with stainless steel anti-extrusion ring)
- No pressure accumulation if the leakage occurs.
- Tri-race ball bearings assure long and dependable service matching to load capacity and conditions.



Swivel Joints

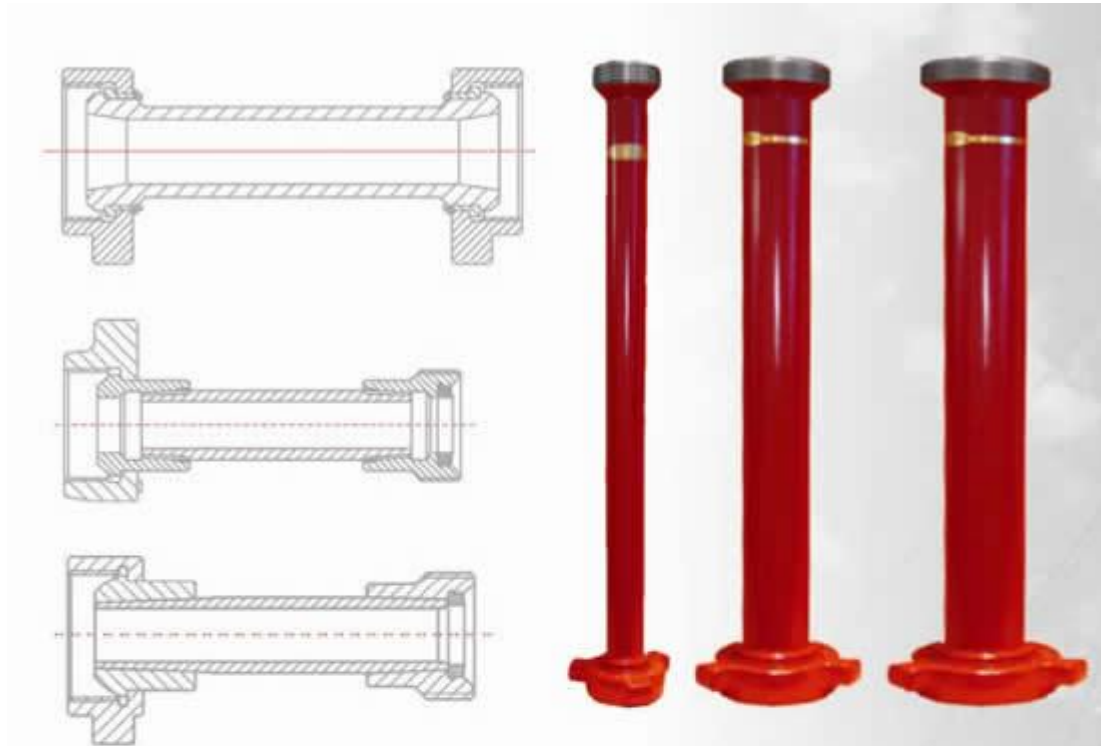


Size(in)	CWP*	Style No.	Radius	Figure No.	Configuration
1 1/2"	10000psi	Style10 ~ 100	3"	FIG1502	F*M F*F M*M
1 1/2"	15000psi	Style10 ~ 100	3"	FIG1502	F*M F*F M*M
2"	7000psi	Style10 ~ 100	4"	FIG1502	F*M F*F M*M
2"	10000psi	Style10 ~ 100	4"	FIG1502	F*M F*F M*M
2"	15000psi	Style10 ~ 100	4"	FIG1502	F*M F*F M*M
2" *3"	10000psi	Style10 ~ 100	4" / 5.5"	FIG1502	F*M F*F M*M
2" *3"	15000psi	Style10 ~ 100	4" / 5.5"	FIG1502	F*M F*F M*M
3"	7000psi	Style10 ~ 100	5.5" / 6"	FIG1502	F*M F*F M*M
3"	10000psi	Style10 ~ 100	5.5" / 6"	FIG1502	F*M F*F M*M
3"	15000psi	Style10 ~ 100	5.5" / 6"	FIG1502	F*M F*F M*M
3"	20000psi	Style10 ~ 100	7.5"	FIG2002	F*M F*F M*M
3"	15000psi	90°~ 120° model	6" ~12"	FIG1502	F*M F*F M*M
3"	20000psi	90°~ 120° model	6" ~12"	FIG2002	F*M F*F M*M

*CWP: Cold working pressure

Pup Joints

Available with integral, welded or Union end connections from 6000 to 20000psi Cold Working Pressure for standard and sour service.

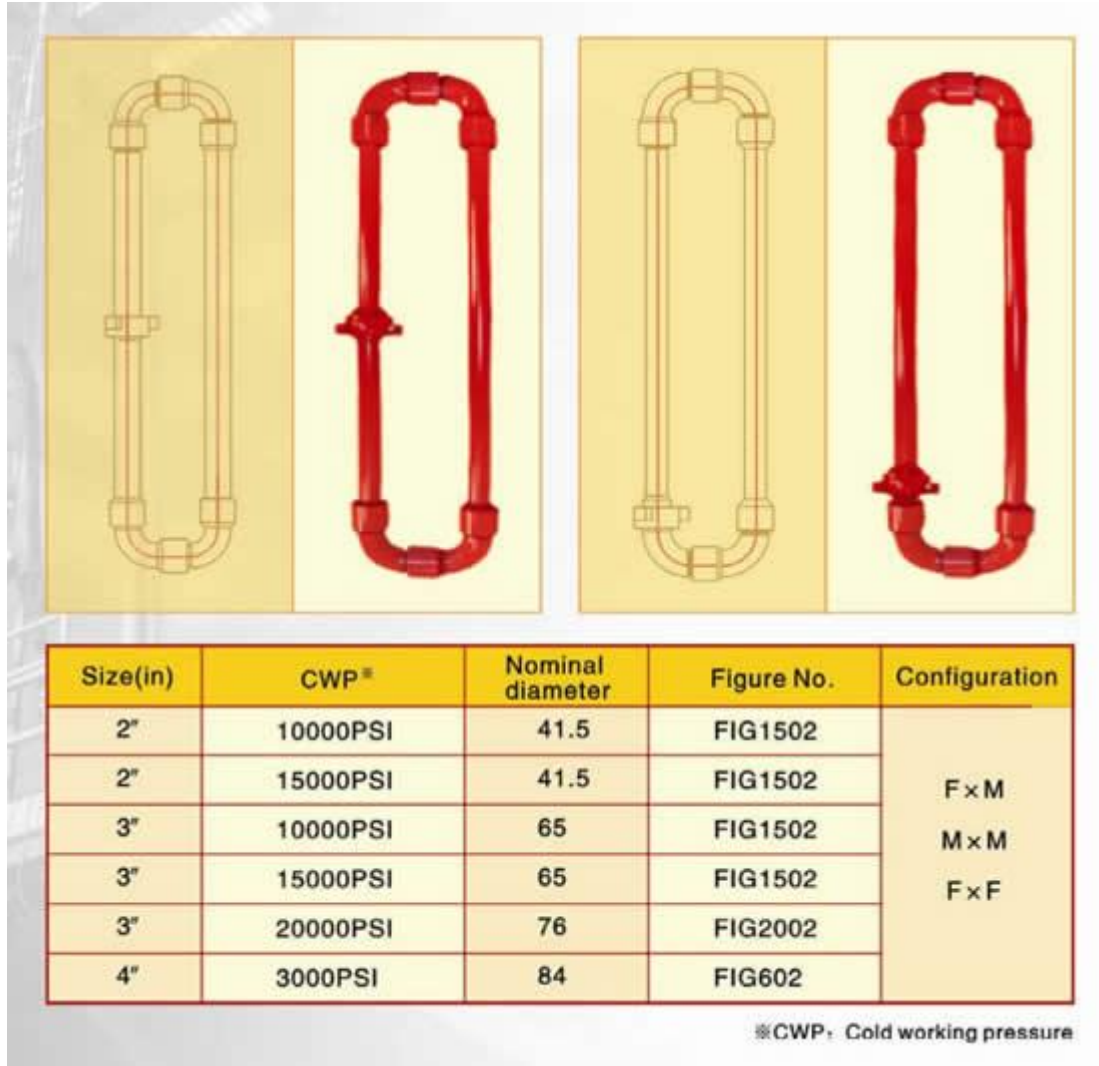


Size(in)	CWP [®]	Nominal diameter	Figure No.	Configuration	Length(ft)
1" *1"	6000psi	22	FIG602	F×M M×M F×F	Up to 10 feet Or As request
1½" *1½"	10000psi	31	FIG1502		
1½" *1½"	15000psi	31	FIG1502		
2" *2"	7000psi	41.5	FIG1502		
2" *2"	10000psi	41.5	FIG1502		
2" *2"	15000psi	41.5	FIG1502		
2" *3"	15000psi	41.5*65	FIG1502		
3" *3"	15000psi	65	FIG1502		
3" *3"	20000psi	76	FIG2002		

※CWP: Cold working pressure

Cementing & Circulating Hoses

Chenglin high pressure steel hose assemblies(cementing and circulating hoses) incorporate long radius swivel joints with quality hardened ball races and high pressure packing units.Consult factory for detailed configuration.

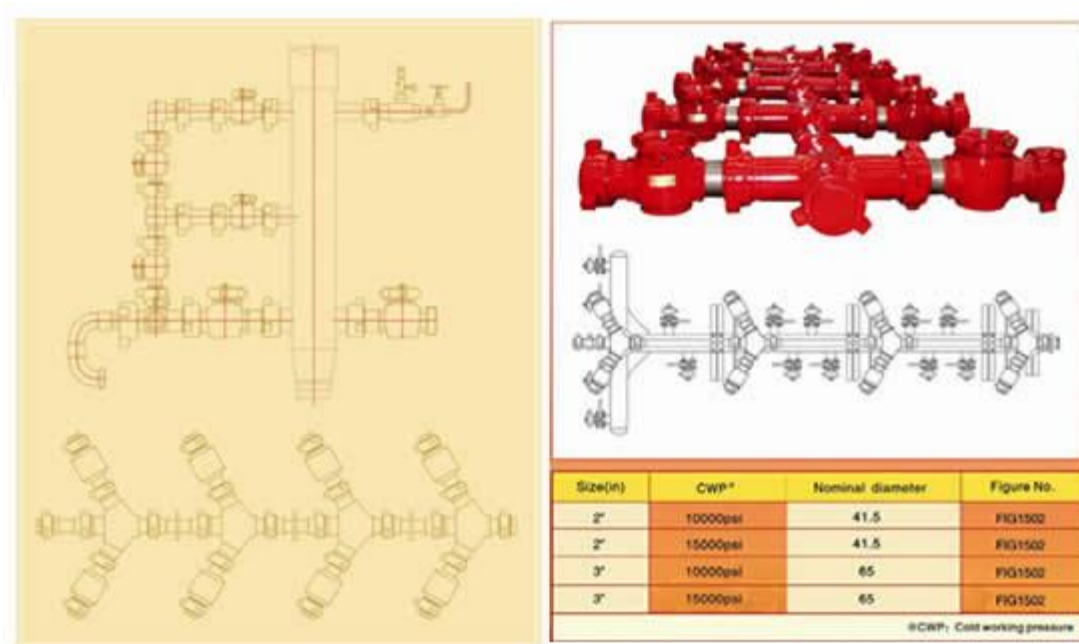


Manifolds

Chenglin ODEC offers manifolds in materials,size,temperature and pressure ratings for a complete range of gas oilfield applications.There rugged manifolds feature proven the Chenglin fluid control gas components for unsurpassed reliability ,fast make-up and make -down,and improved safety,Sour application available.

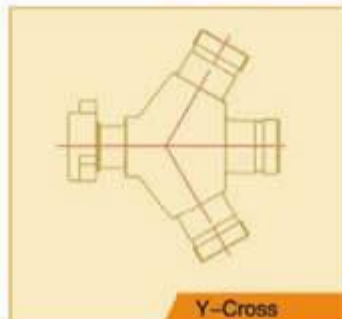
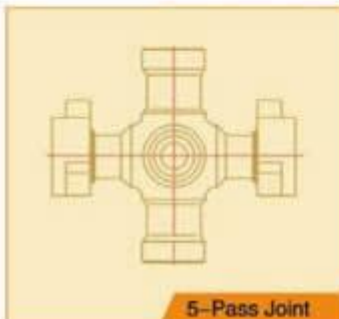
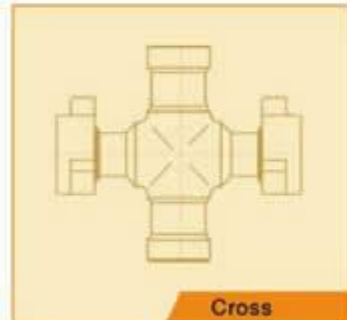
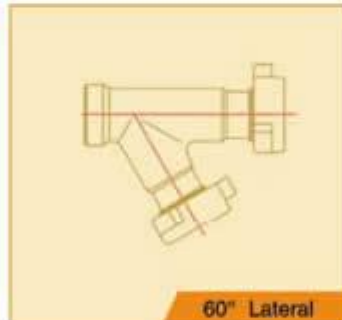
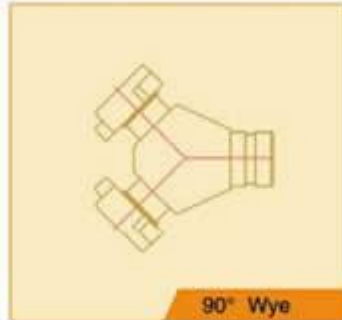
Unlimited manifold design using Chenglin's advanced ULT and plug valves are available.

Manifold assemblies are available with various configuration and pressure rating.



Integral Union Connections, Adapters and Fittings

Chenglin manufactures a quality line of high pressure integral union connections with unions(Adapters&Fittings) in various configurations and size from 1 to 4 inches and in pressure rating up to 20000psi CWP. Combinations are available with male by male, male by female to suit the request. Fully controlled heat treatment on the steel forgings assure uniform quality, Chenglin adapters and fittings such as Tees, Crosses and an assortment of other products having usage in various oilfield applications.



Product Name	Size(in)	Figure No.	CWP [®]	Configuration
120° Wye	1½"	FIG1502	10000PSI	M×F×F
	2"	FIG1502	15000PSI	M×F×F
	3"	FIG1502	15000PSI	M×M×F
45° Lateral	2"	FIG1502	10000PSI	F×M×M
	2"	FIG1502	15000PSI	M×F×F
	3"	FIG1502	15000PSI	M×F×F
60° Lateral	2"	FIG1502	10000PSI	F×M×M
	2"	FIG1502	15000PSI	F×F×M
	3"	FIG1502	15000PSI	F×M×M
Wye	2"	FIG1502	15000PSI	F×M×M
90° Wye	3"	FIG1502	15000PSI	M×M×F
Tee	2"	FIG1502	10000PSI	M×M×F
	2"	FIG1502	15000PSI	M×F×F
	2"	FIG2002	20000PSI	M×F×F
	3"	FIG1502	15000PSI	M×F×F
	3"	FIG2002	20000PSI	M×F×F
90° Elbow	2"	FIG1502	10000PSI	M×F
	2"	FIG1502	15000PSI	F×M
	3"	FIG1502	15000PSI	F×M
Cross	2"	FIG1502	10000PSI	M×M×M×F
	2"	FIG1502	15000PSI	M×M×M×F
	3"	FIG1502	15000PSI	M×M×F×F
Y-Cross (Crowsfoot)	2"	FIG1502	10000PSI	M×F×F×F
	2"	FIG1502	15000PSI	M×F×F×F
	3"	FIG1502	15000PSI	M×F×F×F
5-Pass Joint (Goat Head)	2"	FIG1502	10000PSI	M×M×F×F×F
	3" × 2"	FIG1502	15000PSI	F×F×F×M×F

※CWP: Cold working pressure

Joints

<http://www.haimotech.com/Products-and-Services/Fracturing-Equipment-and-Services/Joints.html>

E-mail: sales@haimotech.com